

ESN.

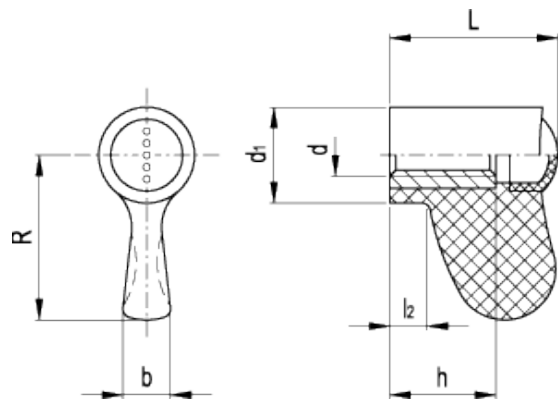
Single wing nuts



ELESA Original design



ERGOSTYLE®



technical informations

Material

Glass-fibre reinforced polyamide based (PA) technopolymer. Resistant to solvents, oils, greases and other chemical agents.

Colour

Grey-black, matte finish.

Assembly

Brass boss, tapped through hole.

Cap

Technopolymer in Ergostyle colours, matte finish; supplied assembled, press-fit assembly, removable by a screwdriver. Available also as accessory sold separately (see caps table).

Ergonomy and design

The slightly concave marks on the wing help to position the fingers in order to apply the maximum force when turning.

C1 RAL 7021 **C2 RAL 2004** **C3 RAL 7035** **C4 RAL 1021** **C5 RAL 5024** **C6 RAL 3000**

Standard Elements		Main dimensions					Mounting hole		Weight
Code	Description	R	L	d ₁	l ₂	b	d _{6H}	h	g
225236-*	ESN.55 B-M6-*	27.5	28	16	6.5	8	M6	18	15
225241-*	ESN.55 B-M8-*	27.5	28	16	6.5	8	M8	18	14
225406-*	ESN.70 B-M8-*	35	36	20	8	10	M8	20	29
225411-*	ESN.70 B-M10-*	35	36	20	8	10	M10	20	28

* Complete the code and the description of the standard item needed by adding the index of the colour of the cap (C1,.....,C6) ex:
225236-C2 ESN.55 B-M6-C2

Code	Description	Cap for
29753-*	ECA.W3-*	ESN.55
29754-*	ECA.W4-*	ESN.70

* Complete the code and the description by adding the index of the colour (C1,.....,C6).

This product had the following design awards:



ELESA and GANTER models all rights reserved in accordance with the law. Always mention the source when reproducing our drawings.

STANDARD MACHINE ELEMENTS WORLDWIDE